

7.168 Neglecting the effect of fillets and of stress concentrations, determine the smallest permissible diameters of the solid rods BC and CD . Use $\tau_{\text{all}} = 60 \text{ MPa}$.

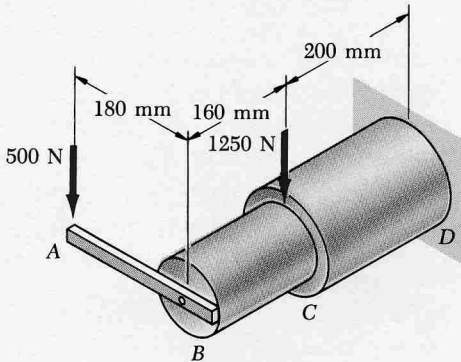


Fig. P7.168 and P7.169