

7.158 The 4-kN force is parallel to the x axis, and the force Q is parallel to the z axis. Knowing that $\tau_{\text{all}} = 60 \text{ MPa}$, determine the smallest permissible diameter of the solid shaft AD .

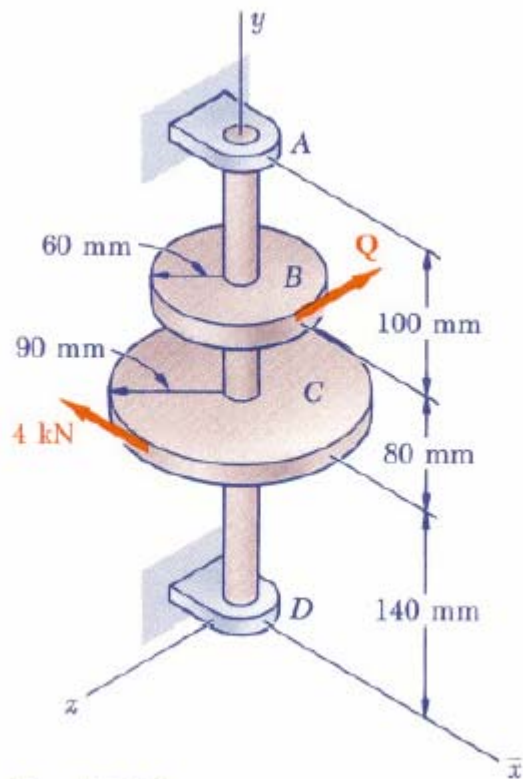


Fig. P7.158