

6.26 Knowing that the structural tubing shown has a uniform wall thickness of 0.25 in., determine for the given loading the maximum shearing stress and the orientation of the corresponding planes at (a) point *H*, (b) point *K*.

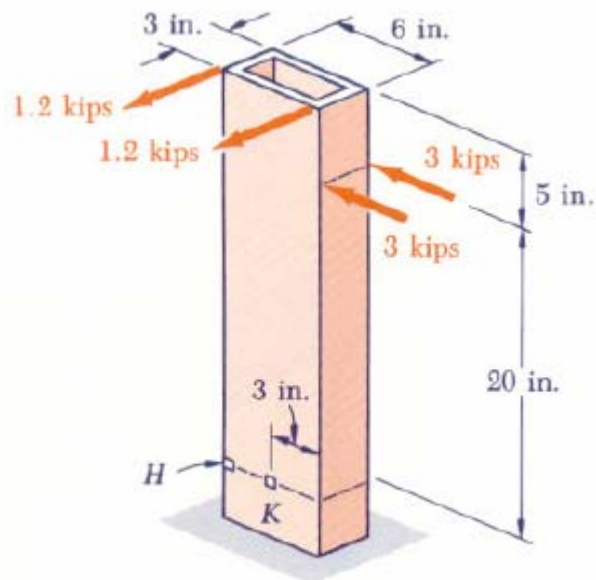


Fig. P6.26