

5.88 Knowing that the structural tubing shown has a uniform wall thickness of 6 mm, determine (a) the normal stress at point *a*, (b) the shearing stress at point *b*.

5.89 Knowing that the structural tubing shown has a uniform wall thickness of 6 mm, determine (a) the shearing stress at point *c*, (b) the normal stress at point *d*.

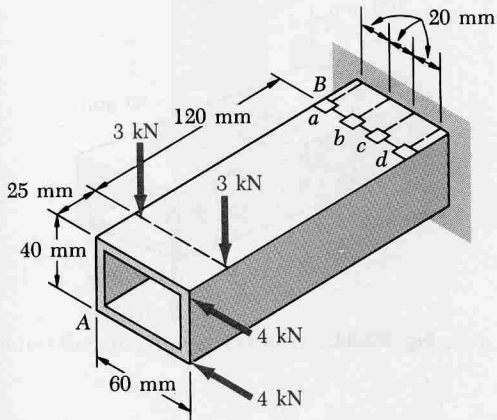


Fig. P5.88 and P5.89