

4.136 through 4.141 The couple M is applied to a beam of the cross section shown in a plane forming an angle β with the vertical. Determine (a) the stress at point A , (b) the stress at point B , (c) the angle that the neutral axis forms with the horizontal plane.

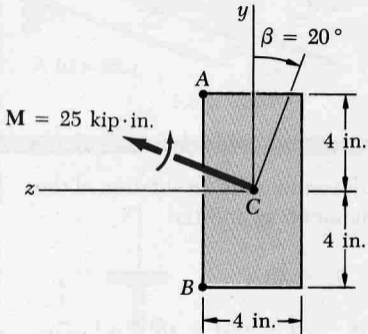


Fig. P4.136

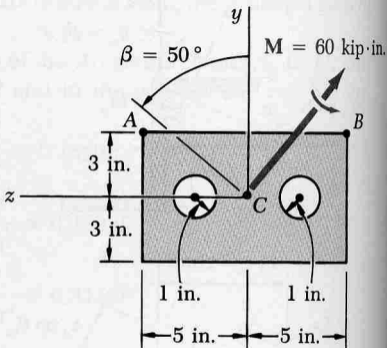


Fig. P4.141