

3.136 The aluminum rod AB ($G = 26$ GPa) is bonded to the brass rod BD ($G = 39$ GPa). Knowing that portion CD of the brass rod is hollow and has an inner diameter of 40 mm, determine the angle of twist at A .

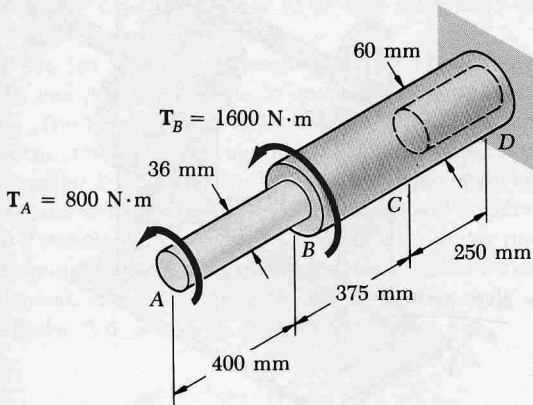


Fig. P3.136